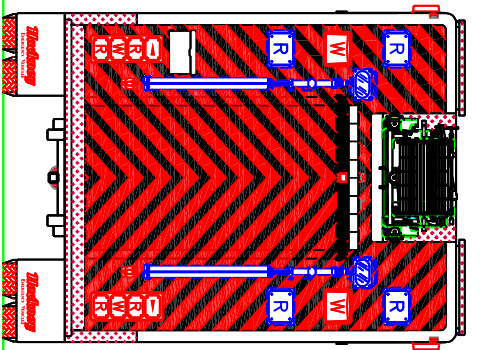
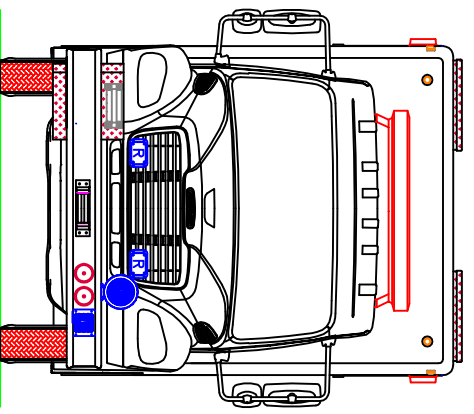
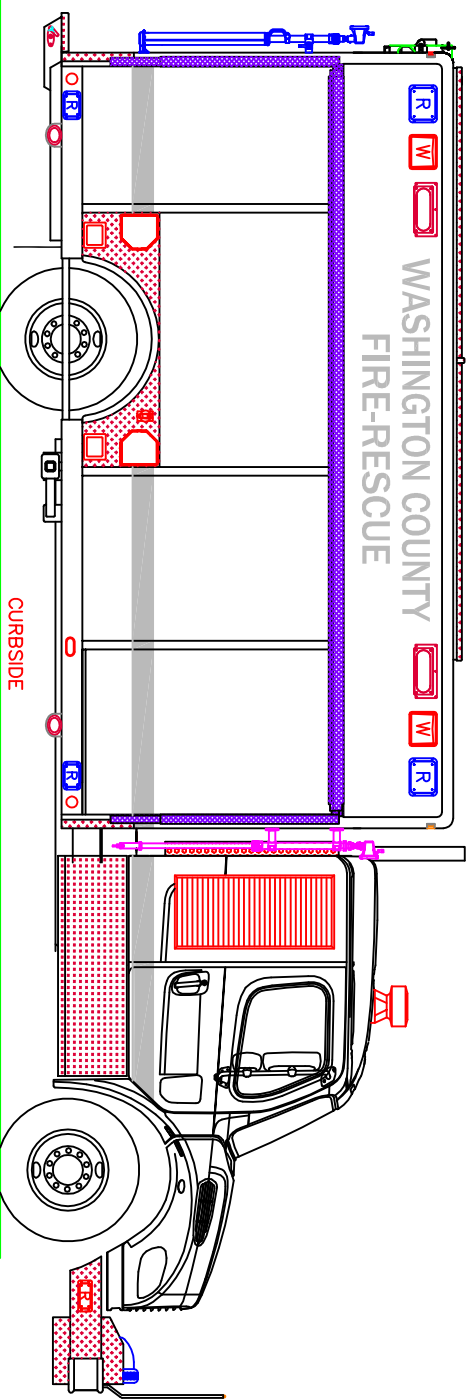


8" WHITE REFLECTIVE LETTERS
WITH BLACK DROP LEFT SHADOW
FONT TO BE HELVETICA



NOTE: *ESTIMATED DIMENSIONS.
MEASUREMENTS DEPEND ON CHASSIS,
TIRES, SPRINGS, AND LOADING.




THIS PRINT AND ALL RIGHTS TO THE DESIGN AND DETAIL THEREON ARE THE PROPERTY OF HACKNEY, WASHINGTON, N.C. AND IS LOANED TO THE RECIPIENT SUBJECT TO RETURN UPON DEMAND. ITS CONTENTS ARE CONFIDENTIAL AND MUST NOT BE COPIED OR SUBMITTED TO OUTSIDE PARTIES FOR USE OR EXAMINATION.

CUSTOM DESIGNED FOR:

07F09245
WASHINGTON COUNTY FIRE & RESCUE
BRISTAL, VA

© 2007 HACKNEY
A Division of VT SVC

UNLESS OTHERWISE SPECIFIED DIMENSIONS ARE IN INCHES TOLERANCES ARE: 3 DECIMALS ± 2 DECIMALS ± ANGLES ± FRACTIONS ±		 EMERGENCY VEHICLES DIVISION WASHINGTON, NC 27888-0880	
DESIGNED BY	DATE	MODEL	SCALE
KMB	5/9/07	3-ESV-9 RTX	1=30
APPROVED BY/DATE		BRISTAL, VA	
SUPERSEDES	SUPERSEDED BY	D-07C-313	