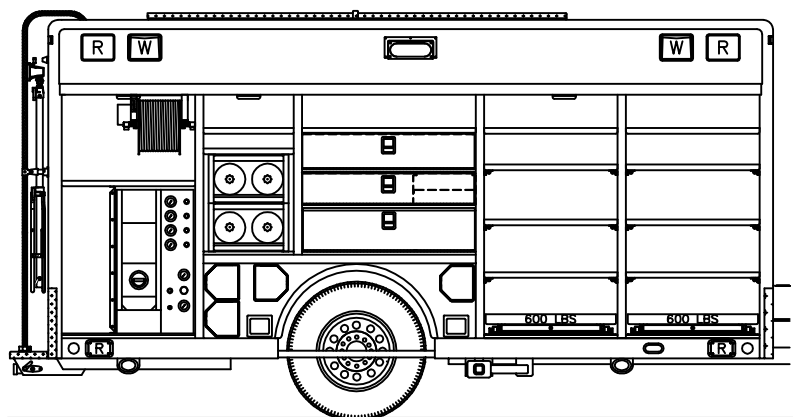
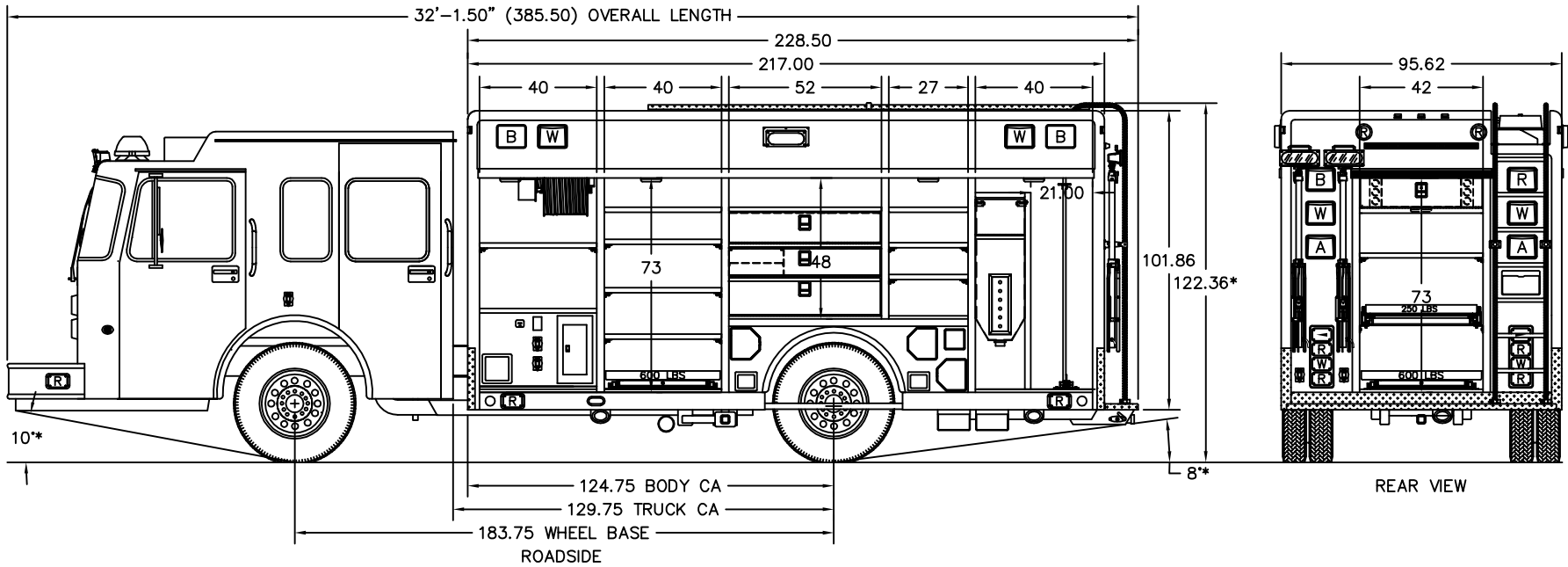
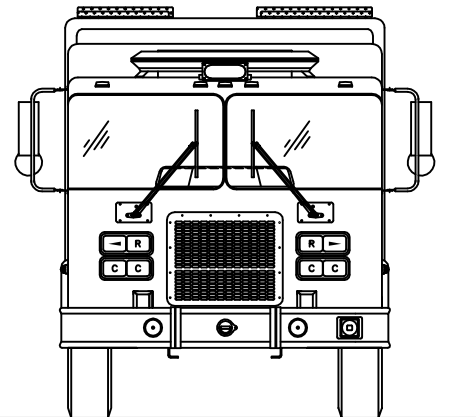


NOTE: \*ESTIMATED DIMENSIONS.  
MEASUREMENTS DEPEND ON CHASSIS,  
TIRES, SPRINGS, AND LOADING.



CURBSIDE



FRONT VIEW

THIS PRINT AND ALL RIGHTS TO THE DESIGN AND DETAIL THEREON ARE THE PROPERTY OF HACKNEY, WASHINGTON, N.C. AND IS LOANED TO THE RECIPIENT SUBJECT TO RETURN UPON DEMAND. ITS CONTENTS ARE CONFIDENTIAL AND MUST NOT BE COPIED OR SUBMITTED TO OUTSIDE PARTIES FOR USE OR EXAMINATION.

© 2004 HACKNEY  
A Division of SVC

CUSTOM DESIGNED FOR:  
#05F09037  
CITY OF SERGEANT BLUFF  
SERGEANT BLUFF, IA

UNLESS OTHERWISE SPECIFIED DIMENSIONS ARE IN INCHES TOLERANCES ON: 2 PL. DECIMALS ± 3 PL. DECIMALS ± ANGLES ± FRACTIONS ±			EMERGENCY VEHICLES DIVISION WASHINGTON, NC 27889-0880
DRAWN BY TLB	DATE 11-16-04		3-ESV-11 RTX 73/48
APPROVED BY	DATE	MODEL: DFC1173R	SERGEANT BLUFF, IA
SUPERSEDES	SUPERSEDED BY	SCALE 1=30	D-04C-550