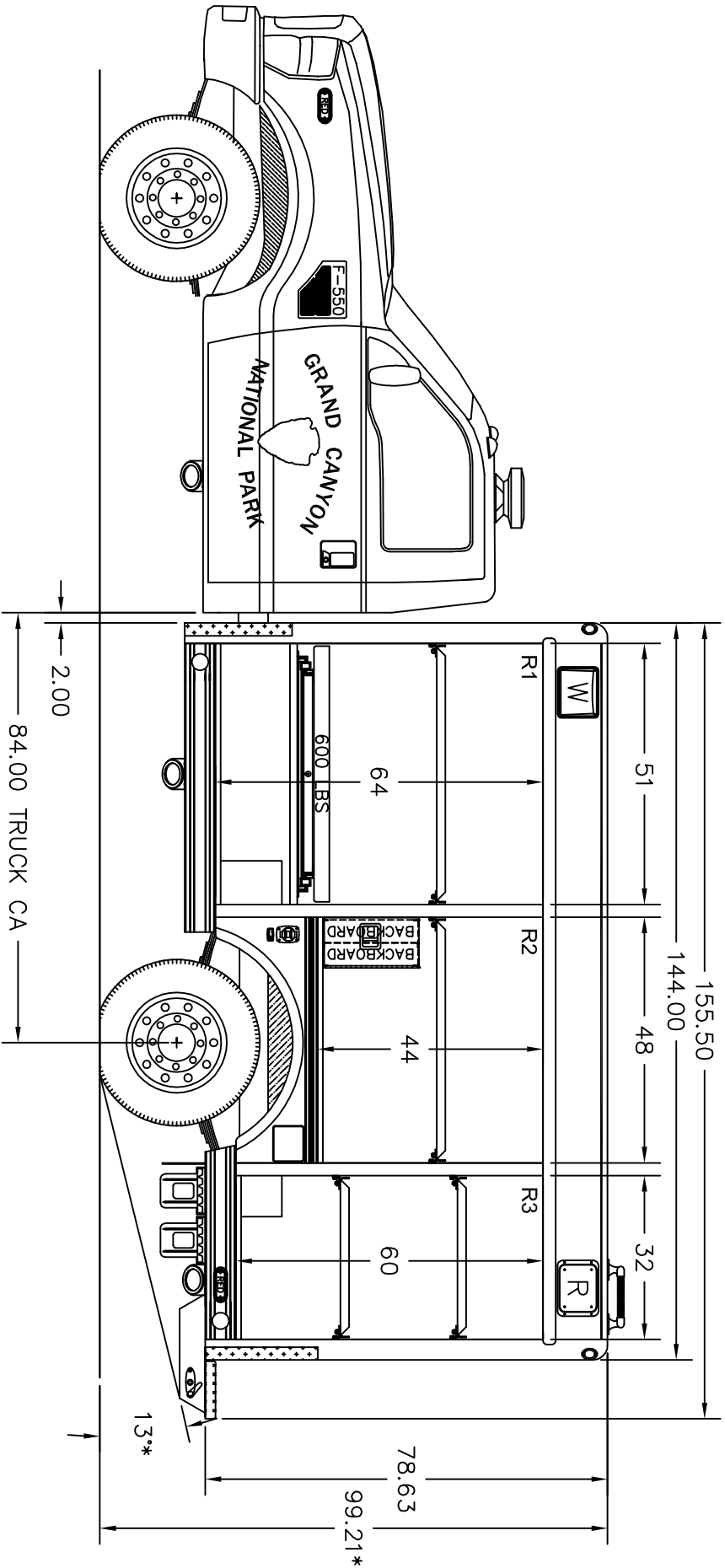



*** ORIGINAL ***



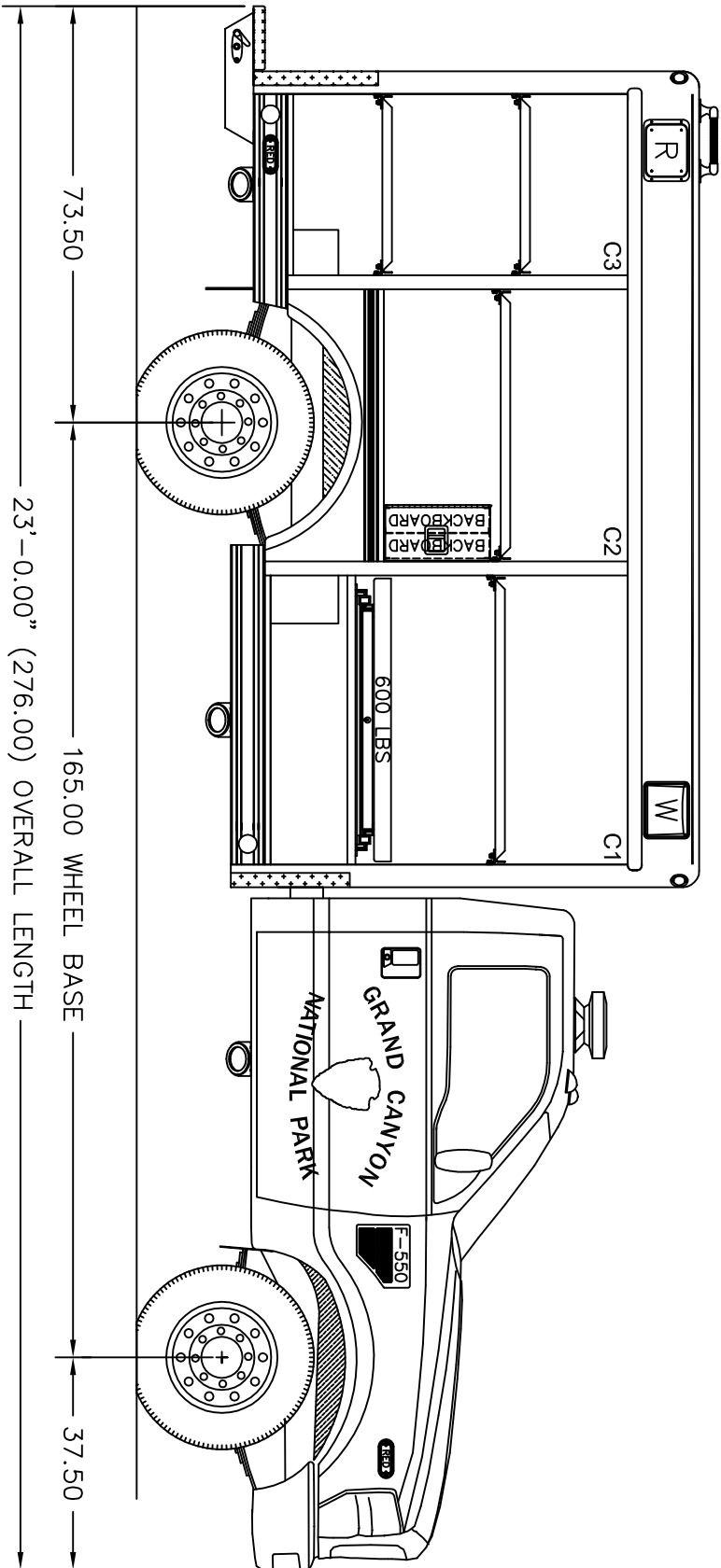
STREETSIDE (LEFT)

THIS PRINT AND ALL RIGHTS TO THE DESIGN AND DETAIL THEREON ARE THE PROPERTY OF HACKNEY, WASHINGTON, N.C. AND IS LOANED TO YOU BY THE STATE OF NORTH CAROLINA. DEMAND FOR ITS CONTENTS ARE CONFIDENTIAL AND MUST NOT BE COPIED OR SUBMITTED TO OUTSIDE PARTIES FOR USE OR EXAMINATION.

NOTE: ESTIMATED DIMENSIONS, MEASUREMENTS DEPEND ON CHASSIS, TIRES, SPRINGS, AND LOADING.

| | | | | | |
|---|---------|---|-------|---|------|
|  | | © 2008 HACKNEY DIVISION A Division of SNC | | EMERGENCY VEHICLES DIVISION WASHINGTON, NC 27889-0880 | |
| DESIGNED BY | DATE | CUSTOM DESIGN FOR | SCALE | DRAWING NO. | REV. |
| KMB | 9/25/09 | GRAND CANYON NATIONAL PARK | 20 | D-09C-495 | A |
| SHEET 2 OF 4 | | MODEL: GSA LR-0764F | | | |

*** ORIGINAL ***



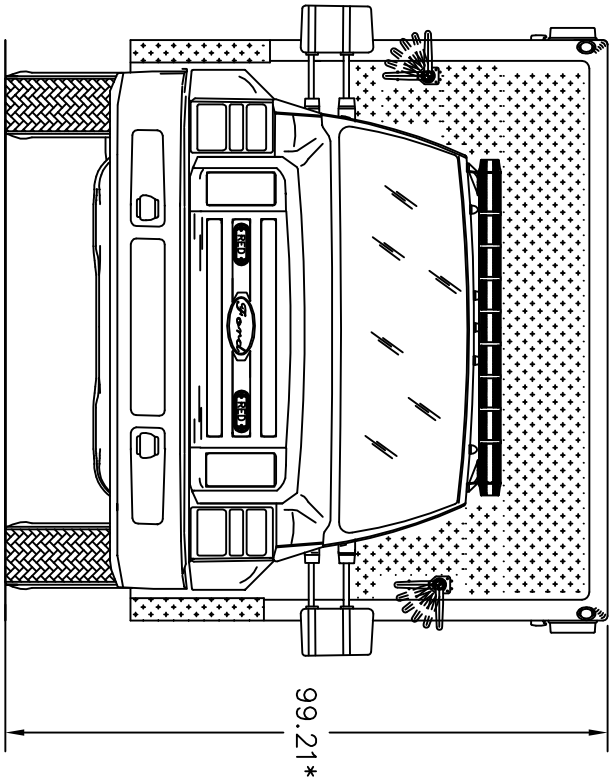
CURBSIDE (RIGHT)

THIS PRINT AND ALL RIGHTS TO THE DESIGN AND DETAIL THEREON ARE THE PROPERTY OF HACKNEY, WASHINGTON, N.C. AND IS LOANED TO THE USER OF THIS DRAWING. ALL RIGHTS DEMAND. ITS CONTENTS ARE CONFIDENTIAL AND MUST NOT BE COPIED OR SUBMITTED TO OUTSIDE PARTIES FOR USE OR EXAMINATION.

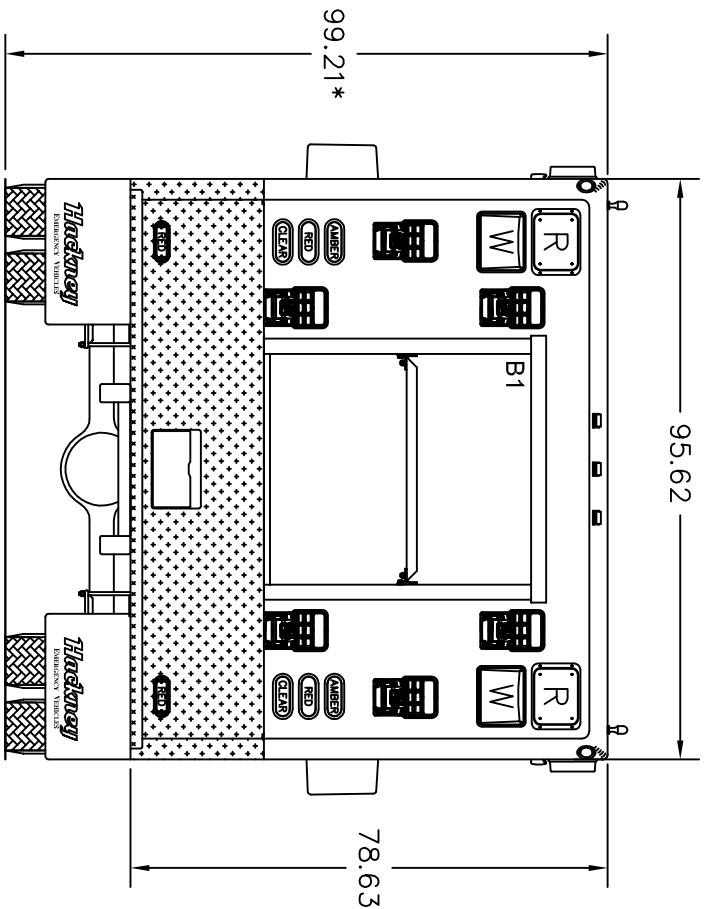
NOTE: ESTIMATED DIMENSIONS, MEASUREMENTS DEPEND ON CHASSIS, TIRES, SPRINGS, AND LOADING.

| | | | | | |
|---|---------|-------------------------------------|-------|---|------|
| | | © 2008 HACKNEY A Division of SVC | | EMERGENCY VEHICLES DIVISION WASHINGTON, NC 27889-0880 | |
| DESIGNED BY | DATE | CUSTOM DESIGN FOR | SCALE | DRAWING NO. | REV. |
| KMB | 9/25/09 | GRAND CANYON NATIONAL PARK | 20 | D-09C-496 | A |
| PROJECT BY STREET MODEL: GSA LR-0764F | | 1 OF 4 | | | |

*** ORIGINAL ***



FRONT VIEW



REAR VIEW

THIS PRINT AND ALL RIGHTS TO THE DESIGN AND DETAIL THEREON ARE THE PROPERTY OF HACKNEY, WASHINGTON, N.C. AND IS LOANED TO THE USER BY THE USER'S REQUEST. DEMAND FOR ITS CONTENTS ARE CONFIDENTIAL AND MUST NOT BE COPIED OR SUBMITTED TO OUTSIDE PARTIES FOR USE OR EXAMINATION.

NOTE: ESTIMATED DIMENSIONS, MEASUREMENTS DEPEND ON CHASSIS, TIRES, SPRINGS, AND LOADING.

| | | | | | |
|-------------|--------------|-------------------------------------|-----------|---|---|
| | | © 2008 HACKNEY A Division of SVC | | EMERGENCY VEHICLES DIVISION WASHINGTON, NC 27889-0880 | |
| DESIGNED BY | DATE | CUSTOM DESIGN FOR | | | |
| KMB | 9/25/09 | GRAND CANYON NATIONAL PARK | | | |
| SHEET | | SCALE | | | |
| 3 OF 4 | | 20 | | | |
| MODEL: | GSA LR-0764F | DRAWING NO. | D-09C-497 | REV. | A |