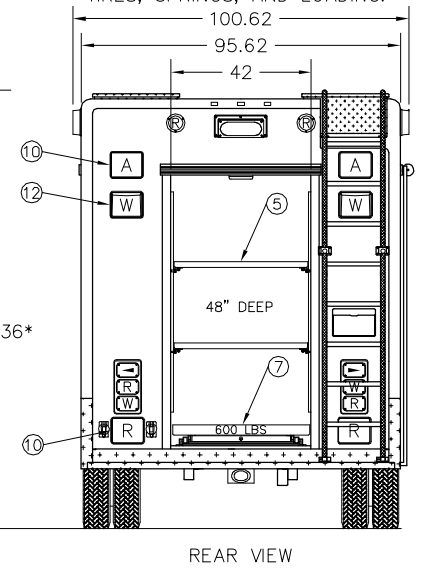
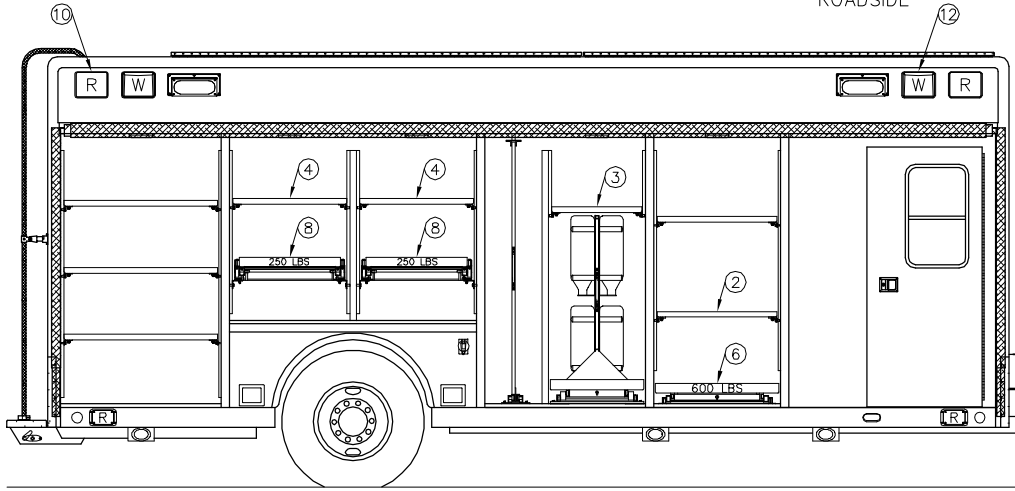


NOTE: *ESTIMATED DIMENSIONS. MEASUREMENTS DEPEND ON CHASSIS, TIRES, SPRINGS, AND LOADING.




ROADSIDE



BBL NO.	ITEM DESCRIPTION
1	60" w x 30" d x 1.5" h ADJUSTABLE SHELVES
2	36" w x 36" d x 1.5" h ADJUSTABLE SHELVES
3	46" w x 36" d x 1.5" h ADJUSTABLE SHELVES
4	34" w x 42" d x 1.5" h ADJUSTABLE SHELVES
5	40" w x 48" d x 1.5" h ADJUSTABLE SHELVES
6	600# SLIDE-OUT TRAY (37" w x 36" d)
7	600# SLIDE-OUT TRAY (41" w x 48" d)
8	250# SLIDE-OUT TILT-DOWN TRAY (30" w x 42" d)
9	WHELEN MODEL 9308NFPA STROBE LIGHT BAR
10	WHELEN 810 SERIES HALOGEN WARNING LIGHTS
11	WHELEN 508 SERIES HALOGEN WARNING LIGHTS
12	WHELEN 810 SERIES SCENE LIGHTS WITH 8-32 DEGREE OPTICS

DATE	SYM	REVISION RECORD	AUTH DRFT.

UNLESS OTHERWISE SPECIFIED			EMERGENCY VEHICLES DIVISION WASHINGTON, NC 27889-0880
DIMENSIONS ARE IN INCHES TOLERANCES ON: 2 PL. DECIMALS ± 3 PL. DECIMALS ± ANGLES ± FRACTIONS ±			
DRAWN BY	DATE	3-ESV-11 RTX 82/57	
AND	03-13-03	MODEL: DF1182R WASHINGTON, DC	
APPROVED BY	DATE	SCALE 1=30	
SUPERSEDES	SUPERSEDED BY	D-03C-031	

THIS PRINT AND ALL RIGHTS TO THE DESIGN AND DETAIL THEREON ARE THE PROPERTY OF HACKNEY & SONS, INC., WASHINGTON, N.C. AND IS LOANED TO THE RECIPIENT SUBJECT TO RETURN UPON DEMAND. ITS CONTENTS ARE CONFIDENTIAL AND MUST NOT BE COPIED OR SUBMITTED TO OUTSIDE PARTIES FOR USE OR EXAMINATION.

© 2003 HACKNEY, A DIVISION OF SVC

CUSTOM DESIGNED FOR:
#03F09022
METRO-WASHINGTON AIRPORT AUTHORITY
WASHINGTON, DC