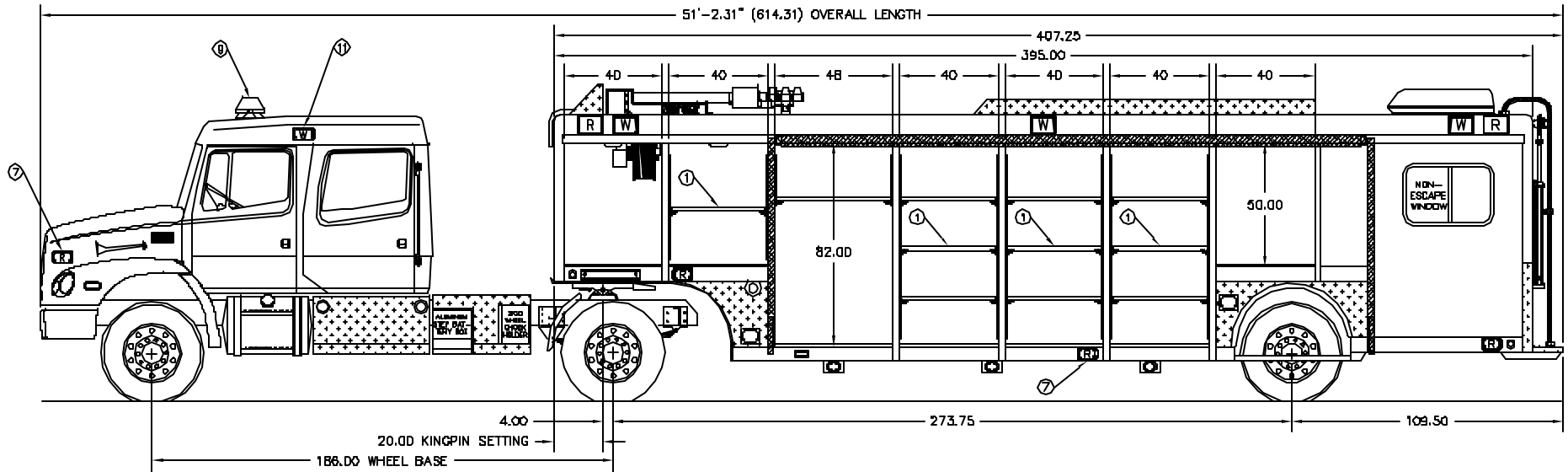
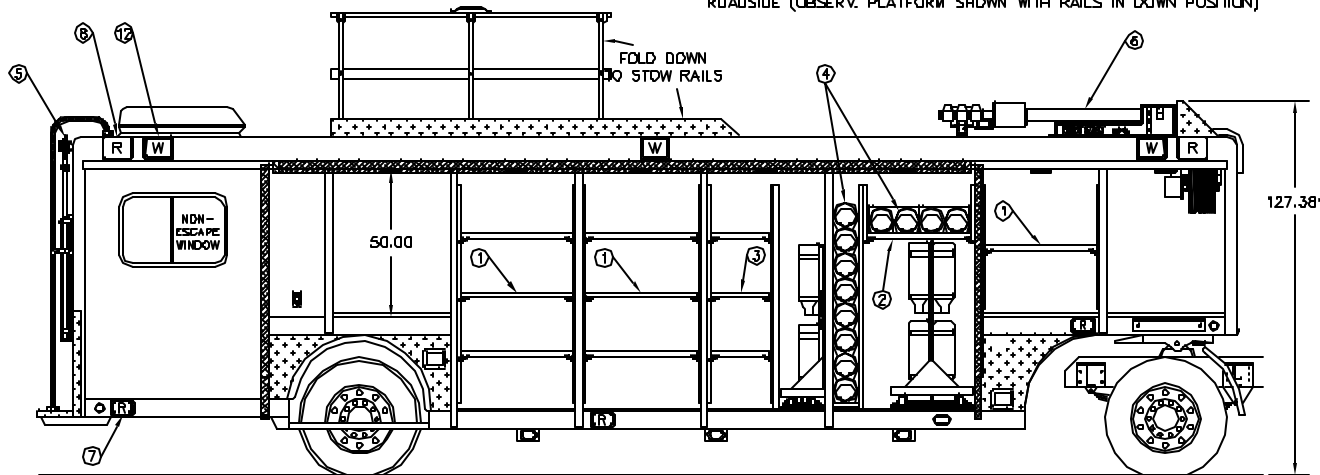


NOTE: \*ESTIMATED DIMENSIONS.  
MEASUREMENTS DEPEND ON CHASSIS,  
TIRES, SPRINGS, AND LOADING.



ROADSIDE (OBSERV. PLATFORM SHOWN WITH RAILS IN DOWN POSITION)




CURBSIDE (OBSERV. PLATFORM SHOWN WITH RAILS IN UP POSITION)

BEL NO.	ITEM DESCRIPTION
1	38" w x 40" d x 1.5" h ADJUSTABLE SHELVES
2	35.50" w x 40" d x 1.5" h ADJUSTABLE SHELVES
3	20" w x 40" d x 1.5" h ADJUSTABLE SHELVES
4	SPARE PVC SCBA STORAGE TUBES W/RUBBER STOPPERS
5	1000 WATT FIRE RESEARCH FOCUS TRIPOD FLOOD LIGHT
6	WILL-BURT NIGHT SCAN NS15-9000 ELEVATED LIGHTING SYSTEM
7	WHELEN 5E SERIES HALOGEN WARNING LIGHTS
8	WHELEN 810 SERIES HALOGEN WARNING LIGHTS
9	WHELEN MODEL C40D700N LIGHT BAR
10	WHELEN 54 SERIES LED STOP/TAIL/TURN/BACK-UP LIGHTS IN DASTS HOUSING
11	WHELEN 50B SERIES SCENE LIGHTS W/B-32 DEGREE OPTICS
12	WHELEN 810 SERIES SCENE LIGHTS W/B-32 DEGREE OPTICS

THIS PRINT AND ALL RIGHTS TO THE DESIGN AND DETAIL THEREON ARE THE PROPERTY OF HACKNEY & SONS, INC., WASHINGTON, N.C. AND IS LOANED TO THE RECIPIENT SUBJECT TO RETURN UPON DEMAND. ITS CONTENTS ARE CONFIDENTIAL AND MUST NOT BE COPIED OR SUBMITTED TO OUTSIDE PARTIES FOR USE OR EXAMINATION.

© 2002 HACKNEY & SONS, INC.

CUSTOM DESIGNED FOR:  
#02F00187  
NC DEPT. OF CRIME CONTROL  
& PUBLIC SAFETY

08-15-02	A	REV PER ORDER SUPPLEMENT	AND
DATE	SYM	REVISION RECORD	AUTH DRFT.
UNLESS OTHERWISE SPECIFIED			
DIMENSIONS ARE IN INCHES TOLERANCES ON 1/2 PL. DIMS ARE ± 5 PL. DIMS ARE ± ANALOGUE FITTINGS ARE ±		 EMERGENCY VEHICLES DIVISION WASHINGTON, NC 27709-0000	
DRAWN BY	DATE	3-EST-14/C2 RTX 82/50	
AND	04-26-02	MODEL: TC1482 RALEIGH, NC	
APPROVED BY	DATE		
SUPERSEDES	SUPERSEDED BY	SCALE	1=34
			D-02C-272A