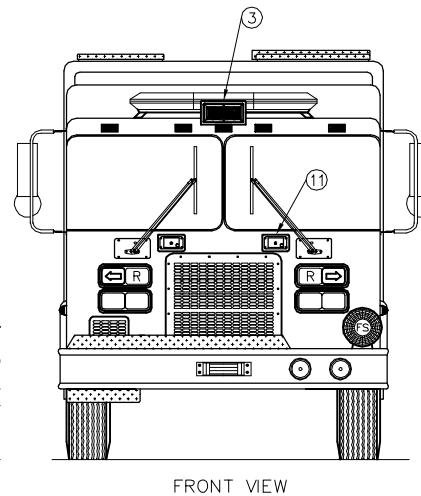
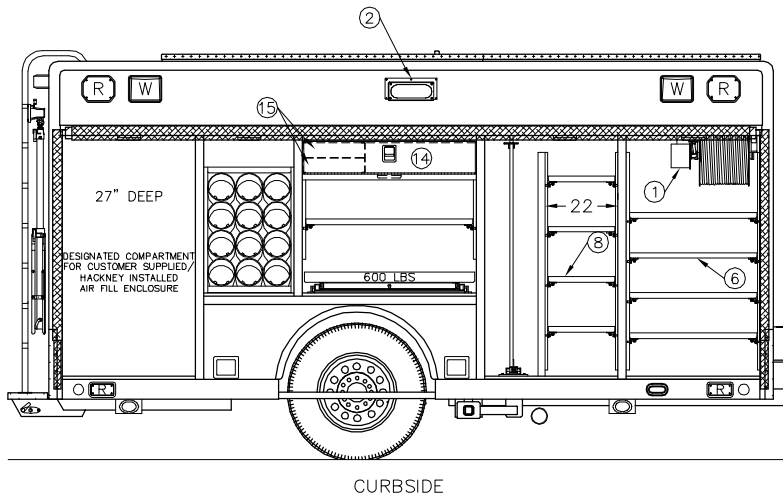
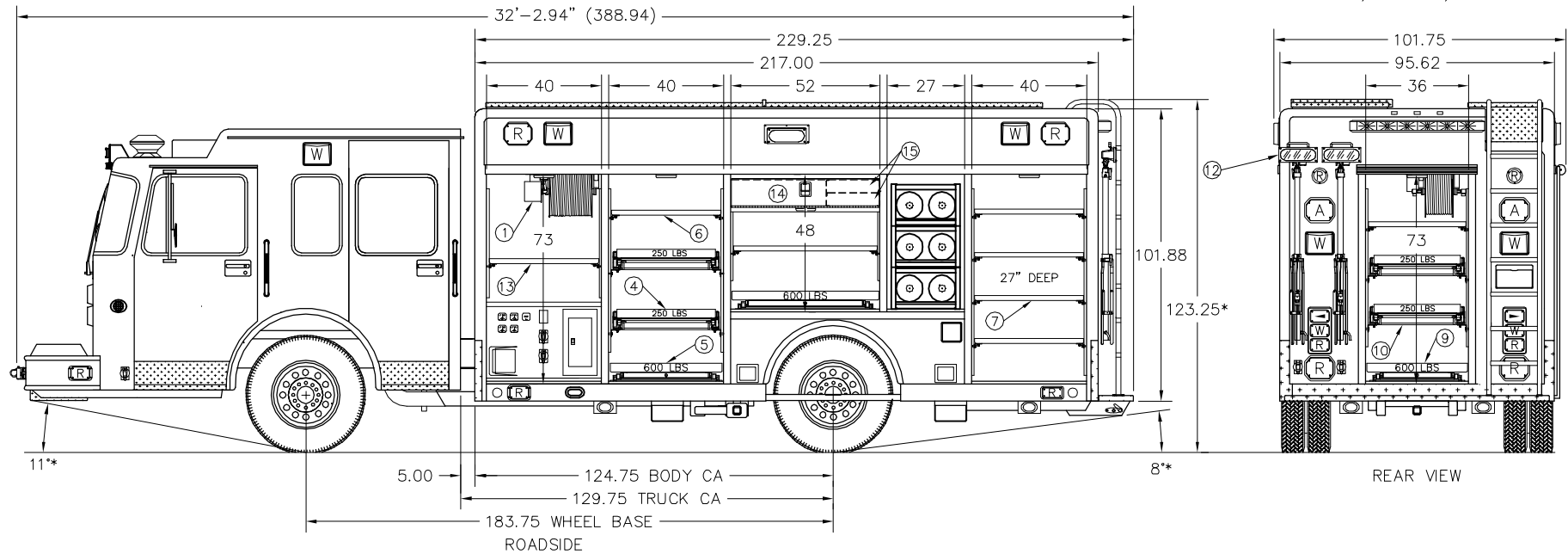


NOTE: *ESTIMATED DIMENSIONS. MEASUREMENTS DEPEND ON CHASSIS, TIRES, SPRINGS, AND LOADING.



BBL NO.	ITEM DESCRIPTION
1	HANNAY ELECTRIC REWIND CORD REEL ECR1624-17-18 W/200' OF 10/4
2	1000W FIRE RESEARCH FC200-M12 RECESSED IN UPPER ROOF RAILS
3	1000W FIRE RESEARCH FC200-M10 MOUNTED IN CUSTOM HOUSING
4	250# SLIDE-OUT TILT-DOWN TRAY (34\"/>

05-22-02	A	REV PER COMPLETION OF BOM	AND
DATE	SYM	REVISION RECORD	AUTH DRFT.

UNLESS OTHERWISE SPECIFIED			EMERGENCY VEHICLES DIVISION WASHINGTON, NC 27889-0880
DIMENSIONS ARE IN INCHES			
TOLERANCES ON:		DATE	
2 PL. DECIMALS ±		05-01-02	
3 PL. DECIMALS ±		3-ESV-11 RTX 73/48	
ANGLES ±		MODEL: DFC1173RC LYNCHBURG, VA	
FRACTIONS ±		SCALE	
DRAWN BY		1=30	
AND		D-02C-126A	
APPROVED BY			
SUPERSEDES		SUPERSEDED BY	

THIS PRINT AND ALL RIGHTS TO THE DESIGN AND DETAIL THEREON ARE THE PROPERTY OF HACKNEY & SONS, INC., WASHINGTON, N.C. AND IS LOANED TO THE RECIPIENT SUBJECT TO RETURN UPON DEMAND. ITS CONTENTS ARE CONFIDENTIAL AND MUST NOT BE COPIED OR SUBMITTED TO OUTSIDE PARTIES FOR USE OR EXAMINATION.

© 2002 HACKNEY & SONS, INC.

CUSTOM DESIGNED FOR:
#02F00150
LYNCHBURG FIRE DEPARTMENT
LYNCHBURG, VA

REFER TO DRAWING D-02C-283A FOR TOP PLAN VIEW OF BODY.