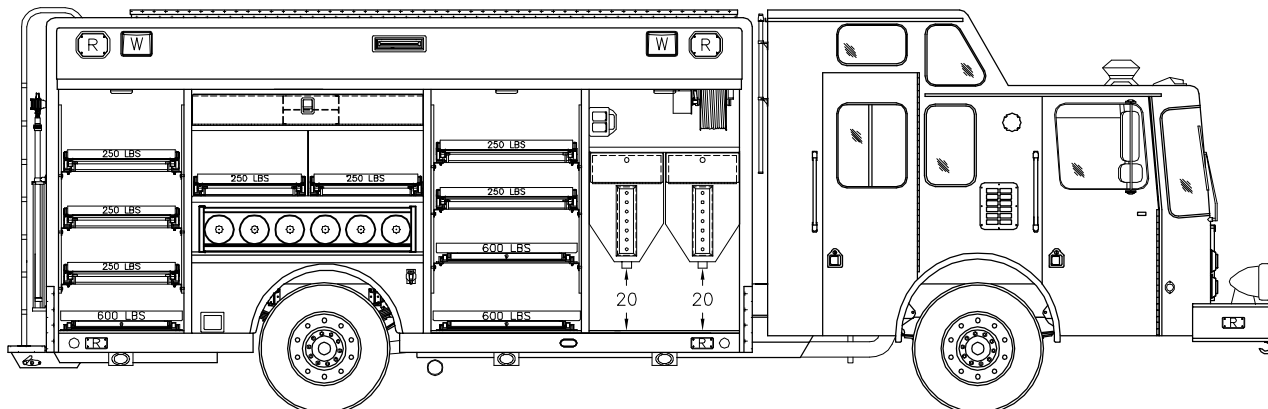
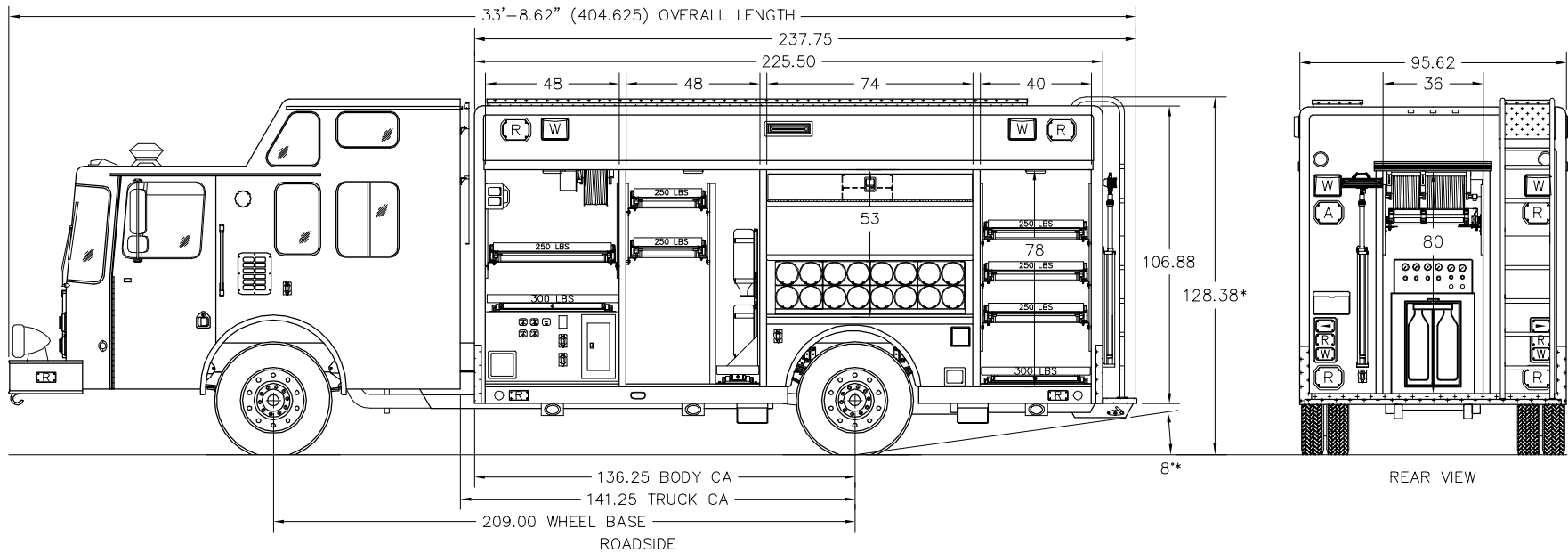


NOTE: *ESTIMATED DIMENSIONS.
MEASUREMENTS DEPEND ON CHASSIS,
TIRES, SPRINGS, AND LOADING.



THIS PRINT AND ALL RIGHTS TO THE DESIGN AND DETAIL THEREON ARE THE PROPERTY OF HACKNEY & SONS, INC., WASHINGTON, N.C. AND IS LOANED TO THE RECIPIENT SUBJECT TO RETURN UPON DEMAND. ITS CONTENTS ARE CONFIDENTIAL AND MUST NOT BE COPIED OR SUBMITTED TO OUTSIDE PARTIES FOR USE OR EXAMINATION.

© 2000 HACKNEY & SONS, INC.

CUSTOM DESIGNED FOR:
#00F00517
AUBURN HILLS FIRE DEPARTMENT
AUBURN HILLS, MI

02-06-01	A	REV PER APPROVED SALES ORDER		AND
DATE	SYM	REVISION RECORD		AUTH DRFT.
UNLESS OTHERWISE SPECIFIED				
DIMENSIONS ARE IN INCHES				
TOLERANCES ON:				
2 PL. DECIMALS ±				
3 PL. DECIMALS ±				
ANGLES ±				
FRACTIONS ±				
DRAWN BY	DATE	EMERGENCY VEHICLES DIVISION		
AND	08-28-00	WASHINGTON, NC 27889-0880		
APPROVED BY	DATE	3-ESV-9	RTX	78/53
		MODEL: DF0978RC	AUBURN HILLS, MI	
SUPERSEDES	SUPERSEDED BY	SCALE	D-00C-413A	
		1=32		