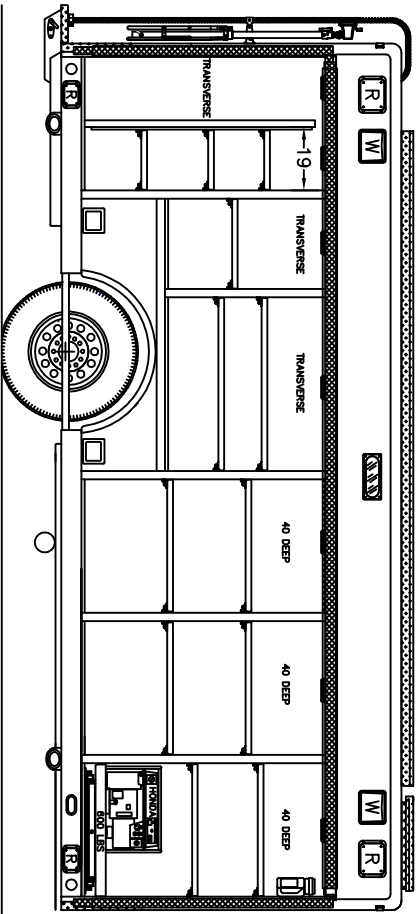
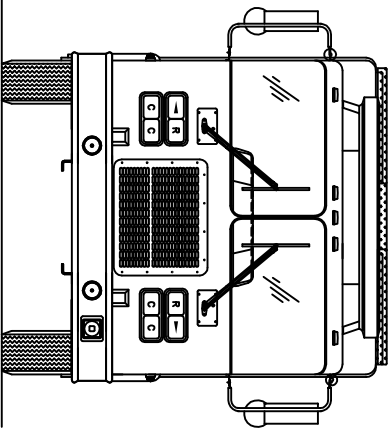


NOTE: \*ESTIMATED DIMENSIONS. MEASUREMENTS DEPEND ON CHASSIS, TIRES, SPRINGS, AND LOADING.



CURBSIDE




FRONT VIEW

THIS PRINT AND ALL RIGHTS TO THE DESIGN AND DETAIL THEREON ARE THE PROPERTY OF HACKNEY, WASHINGTON, N.C. AND IS LOANED TO THE RECIPIENT SUBJECT TO RETURN UPON DEMAND. ITS CONTENTS ARE CONFIDENTIAL AND MUST NOT BE COPIED OR SUBMITTED TO OUTSIDE PARTIES FOR USE OR EXAMINATION.

© 2005 HACKNEY  
A Division of SVC

CUSTOM DESIGNED FOR:  
**BUTTE COUNTY FIRE DEPARTMENT**  
05F09075  
OROVILLE, CA

UNLESS OTHERWISE SPECIFIED DIMENSIONS ARE IN INCHES 2 PL. DECIMALS ± 3 PL. DECIMALS ± FRACTIONS ±		 EMERGENCY VEHICLES DIVISION WASHINGTON, NC 27888-0880
DRAWN BY KMB	DATE 8/16/05	
APPROVED BY DATE	DATE	MODEL: DFC1273R OROVILLE, CA SCALE: 1=30 D-05C-350
SUPERSEDES	SUPERSEDED BY	