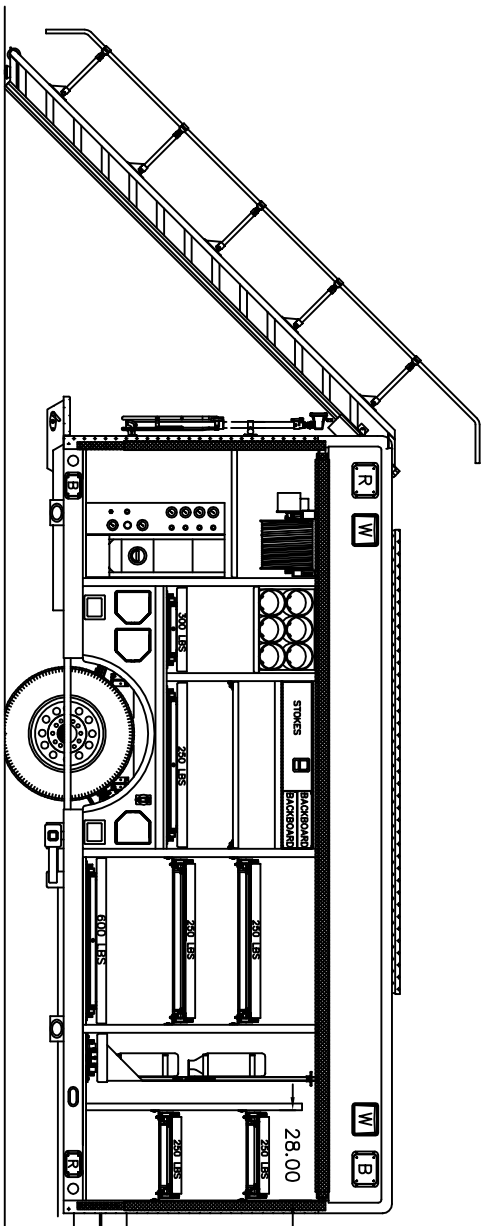
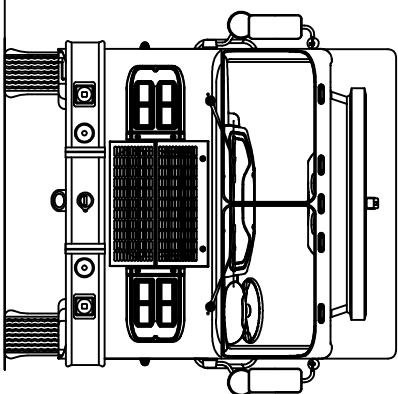


NOTE: *ESTIMATED DIMENSIONS. MEASUREMENTS DEPEND ON CHASSIS, TIRES, SPRINGS, AND LOADING.



CURBSIDE



FRONT VIEW

CUSTOM DESIGNED FOR:

06F09096
DREXEL HEIGHTS FIRE DEPARTMENT
TUCSON, AZ

THIS PRINT AND ALL RIGHTS TO THE DESIGN AND DETAIL THEREON ARE THE PROPERTY OF HACKNEY, INC., WASHINGTON, N.C. AND IS LOANED TO THE RECIPIENT SUBJECT TO RETURN UPON DEMAND. ITS CONTENTS ARE CONFIDENTIAL AND MUST NOT BE COPIED OR SUBMITTED TO OUTSIDE PARTIES FOR USE OR EXAMINATION.

© 2005 HACKNEY, INC.

DATE	SYM	REVISION RECORD	AUTH	DRFT.
6/16/05	KMB	3-ESV-11	RTX	73/48
<small>UNLESS OTHERWISE SPECIFIED DIMENSIONS ARE IN INCHES TOLERANCES ARE: FINISHES ON: 1/8" DECIMALS ± ANGLES: 3° FRACTIONS: ±</small>				
<small>DESIGNED BY: DATE: 6/16/05</small>		<small>EMERGENCY VEHICLES DIVISION WASHINGTON, NC 27889-0800</small>		
<small>APPROVED BY: DATE: 6/16/05</small>		<small>MODEL: DF1173R TUCSON, AZ</small>		
<small>SUPERVISORS:</small>		<small>SCALE: 1=32</small>		
<small>SUPERSEDED BY:</small>		<small>D-05C-316</small>		