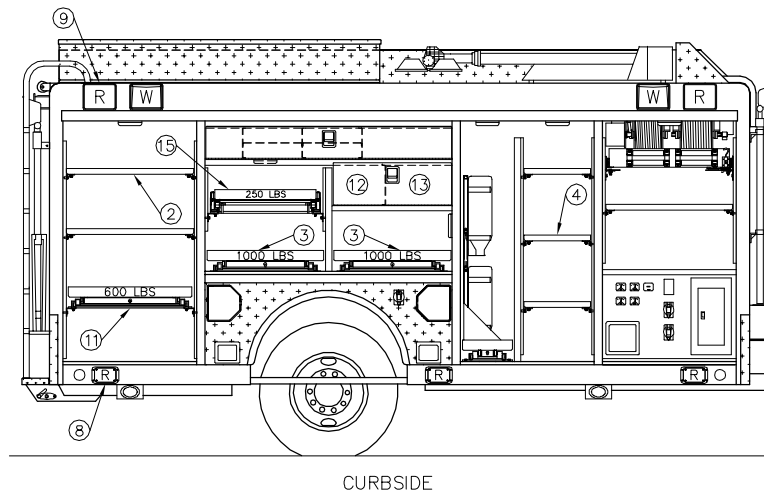
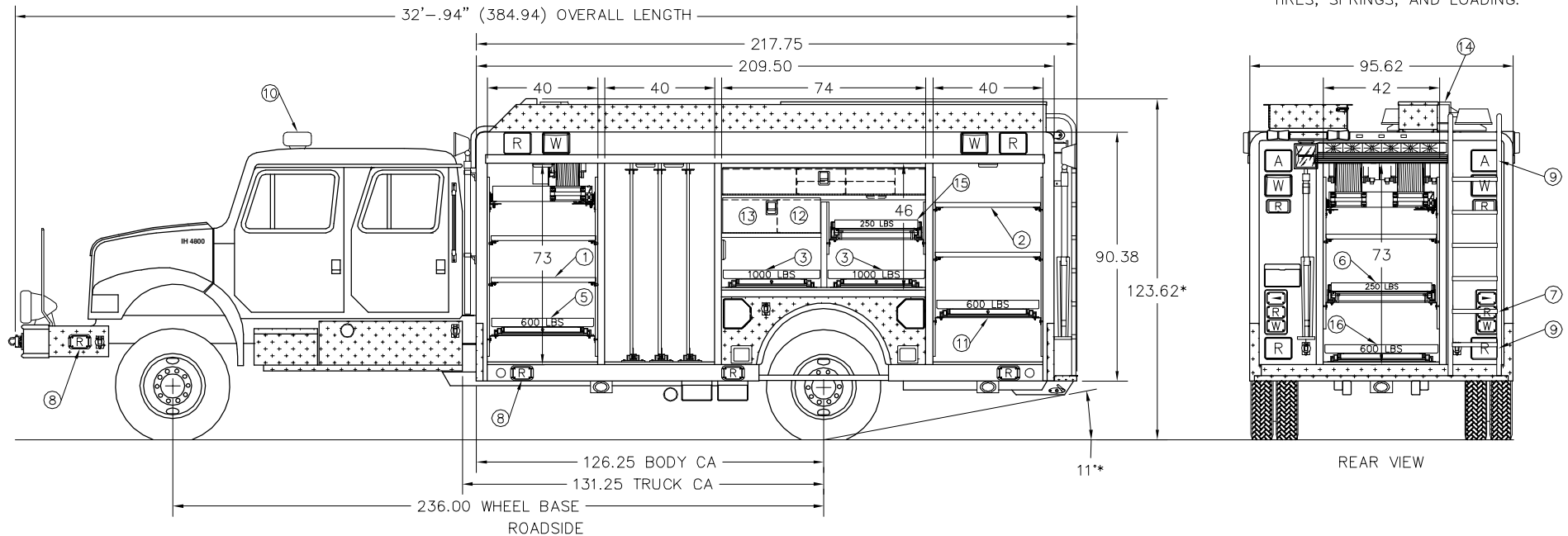


NOTE: \*ESTIMATED DIMENSIONS.  
MEASUREMENTS DEPEND ON CHASSIS,  
TIRES, SPRINGS, AND LOADING.



THIS PRINT AND ALL RIGHTS TO THE DESIGN AND DETAIL THEREON ARE THE PROPERTY OF HACKNEY & SONS, INC., WASHINGTON, N.C. AND IS LOANED TO THE RECIPIENT SUBJECT TO RETURN UPON DEMAND. ITS CONTENTS ARE CONFIDENTIAL AND MUST NOT BE COPIED OR SUBMITTED TO OUTSIDE PARTIES FOR USE OR EXAMINATION.

© 2000 HACKNEY & SONS, INC.

CUSTOM DESIGNED FOR:  
#00F00121  
ELLSWORTH AFB  
ELLSWORTH AFB, SD

BBL NO.	ITEM DESCRIPTION			
1	38" w x 36" d x 1.5" h ADJUSTABLE SHELVES			
2	38" w x 23" d x 1.5" h ADJUSTABLE SHELVES			
3	1000# DUAL DIRECTION SLIDE-OUT TRAY (35" w x 88" d)			
4	20" w x 36" d x 1.5" h ADJUSTABLE SHELVES			
5	600# ADJUSTABLE SLIDE-OUT TRAY (38" w x 36" d)			
6	250# SLIDE-OUT TILT-DOWN TRAY (36" w x 40" d)			
7	WHELEN 64 SERIES TOP/TAIL/TURN/BACK-UP LIGHTS IN CAST3 HOUSING			
8	WHELEN 64 SERIES LINEAR STROBE WARNING LIGHTS			
9	WHELEN 810 SERIES LINEAR STROBE WARNING LIGHTS			
10	WHELEN MODEL 9308NFPA STROBE LIGHT BAR			
11	600# ADJUSTABLE SLIDE-OUT TRAY (38" w x 23" d)			
12	RESCUE TRIPOD STORAGE (16" w x 88" d x 12" h)			
13	1500W TRIPOD FLOOD LIGHT STORAGE (20" w x 88" d x 12" h)			
14	WILL-BURT NIGHT SCAN ELEVATED LIGHTING SYSTEM NS6-3000			
15	250# SLIDE-OUT TILT-DOWN TRAY (30" w x 42" d)			
16	600# ADJUSTABLE SLIDE-OUT TRAY (41" w x 40" d)			
05-25-00	B	REV PER COMPLETION OF BOM		AND
04-07-00	A	REV PER APPROVED SALES ORDER		AND
DATE	SYM	REVISION RECORD		AUTH DRFT.
UNLESS OTHERWISE SPECIFIED				
DIMENSIONS ARE IN INCHES				
TOLERANCES ON:				
2 PL. DECIMALS ±				
3 PL. DECIMALS ±				
ANGLES ±				
FRACTIONS ±				
DRAWN BY	DATE	EMERGENCY VEHICLES DIVISION		
AND	03-24-00	WASHINGTON, NC 27889-0880		
APPROVED BY	DATE	3-ESV-9 RTX 73/46		
SUPERSEDES		MODEL: DF0973/00F00121		ELLSWORTH AFB, SD
SUPERSEDED BY		SCALE	D-00C-112 B	
		1=30		